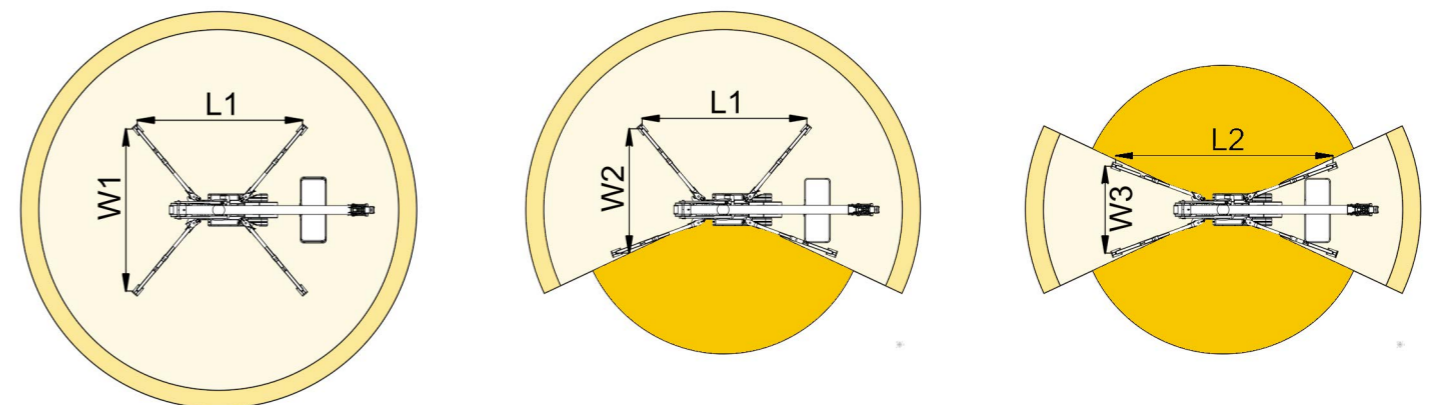
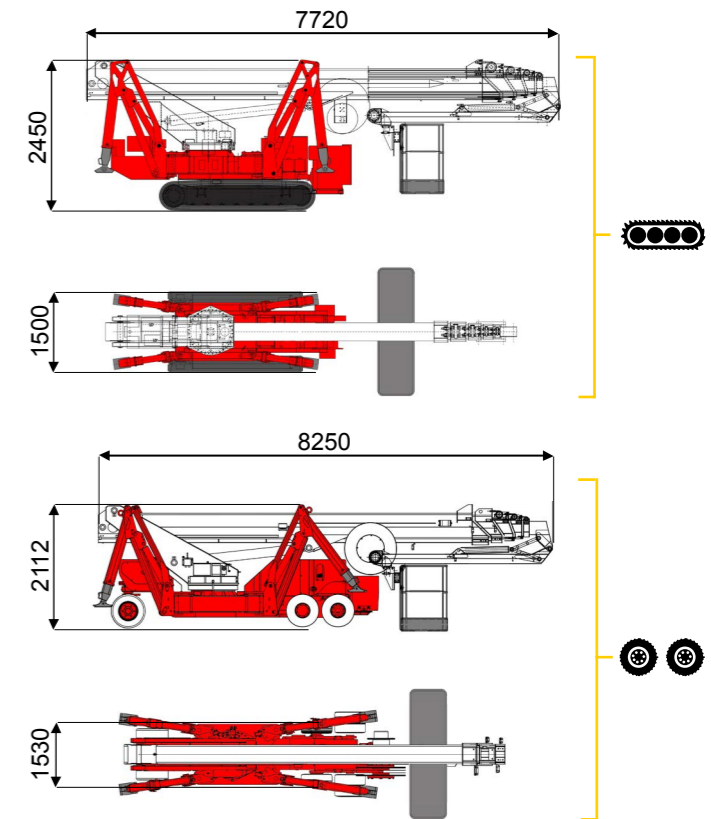
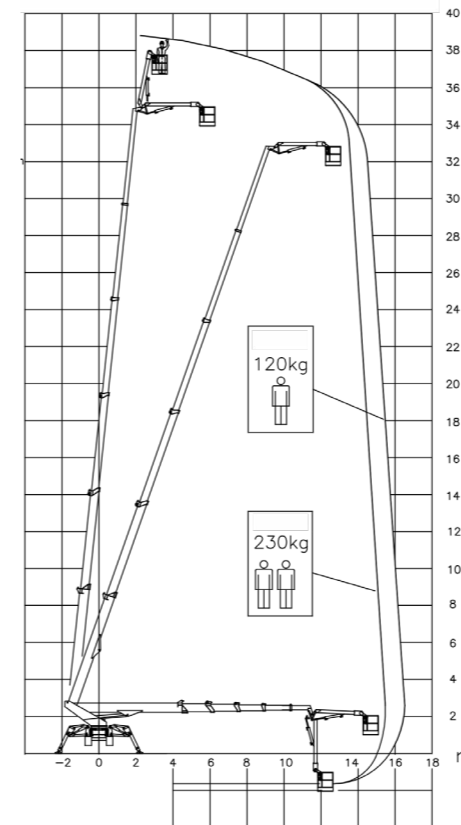




**39 m** ↑  
**16,5 m** →  
**230 Kg** 👤 👤



|        |        |            |         |         |         |         |         |
|--------|--------|------------|---------|---------|---------|---------|---------|
| 15,5 m | 16,5 m | 10 m       | L1      | L2      | W1      | W2      | W3      |
| 230 kg | 120 kg | 120/230 kg | 4960 mm | 6200 mm | 4700 mm | 3810 mm | 2920 mm |

| BI-ENERGY Diesel+AC |  |      |        |        |      |      |           |         |            |     |     |        |         |       |                        |                        |
|---------------------|--|------|--------|--------|------|------|-----------|---------|------------|-----|-----|--------|---------|-------|------------------------|------------------------|
| <b>TSJ 39/C</b>     |  | 39 m | 16,5 m | 230 kg | 170° | 660° | 240x70 cm | 90°+80° | 2,92-4,7 m | 18% | 40% | 2 km/h | 8200 kg | 47 kN | 3,52 kN/m <sup>2</sup> | 4,43 kN/m <sup>2</sup> |
| <b>TSJ 39/R</b>     |  | 39 m | 16,5 m | 230 kg | 170° | 660° | 240x70 cm | 90°+80° | 2,92-4,7 m | 31% | 12% | 2 km/h | 8200 kg | 47 kN | 3,52 kN/m <sup>2</sup> | 4,14 kN/m <sup>2</sup> |

Available version:

- BI-ENERGY (DIESEL+AC)
- ECO (DC+AC)
- HYBRID (DIESEL+DC)

Characteristics and technical data are informative only and subjected to change without notice.



COMPANY WITH  
QUALITY SYSTEM  
CERTIFIED BY DNV GL  
= ISO 9001 =

Palazzani Industrie S.p.A.  
Via del Pavione, 4 - 25050 - Paderno F.C. (BS) - Italy  
Tel. (+39) 0306857073  
platforms@palazzani.it  
[www.palazzani.it](http://www.palazzani.it)